

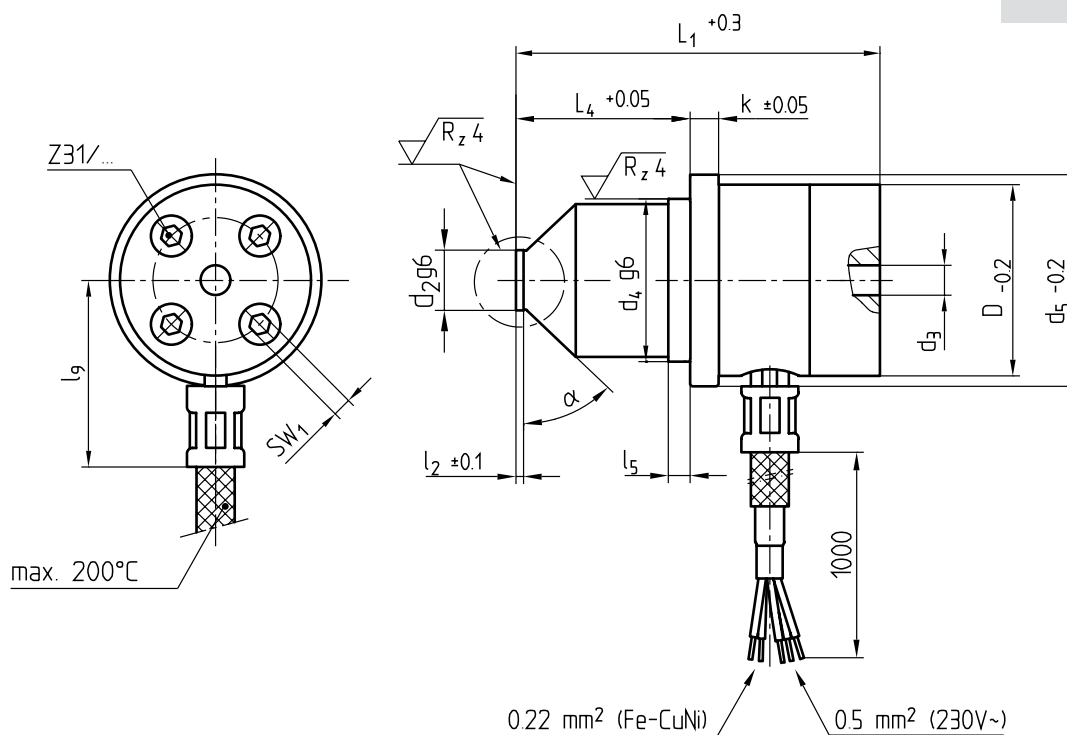
Z 103/...

230 V~

⎯<sup>+</sup> = Fe-CuNi



Info



SW <sub>1</sub>	$\alpha$	max. °C	Watt	k	d <sub>5</sub>	d <sub>4</sub>	d <sub>3</sub>	d <sub>2</sub>	l <sub>9</sub>	l <sub>2</sub>	l <sub>5</sub>	L <sub>4</sub>	Typ	D	L <sub>1</sub>	d <sub>1</sub>	Nr./No.
2,5	45°	280	250	4	30	22	3	8	28	2,5	4	27	..27..	<b>27</b>	<b>49</b>	<b>1,2</b>	Z 103/27x 49/1,2
	51°		315		38	25	3,5	10	40			32	..32..	<b>32</b>	<b>61</b>	<b>1,5</b>	32x 61/1,5
4	50°	400	400	5	44	28	5	12	41	3	5	41	..38..	<b>38</b>	<b>75</b>	<b>2</b>	38x 75/2
5				6	52	35	6	14	49			56	..45..	<b>45</b>	<b>88</b>	<b>3</b>	45x 88/3
6				8	62	42	7	16	51			3,5	5	37	..56..	<b>56</b>	<b>81</b>
												68			<b>112</b>	<b>3,5</b>	56x112/3,5

This is trial version  
www.adultpdf.com